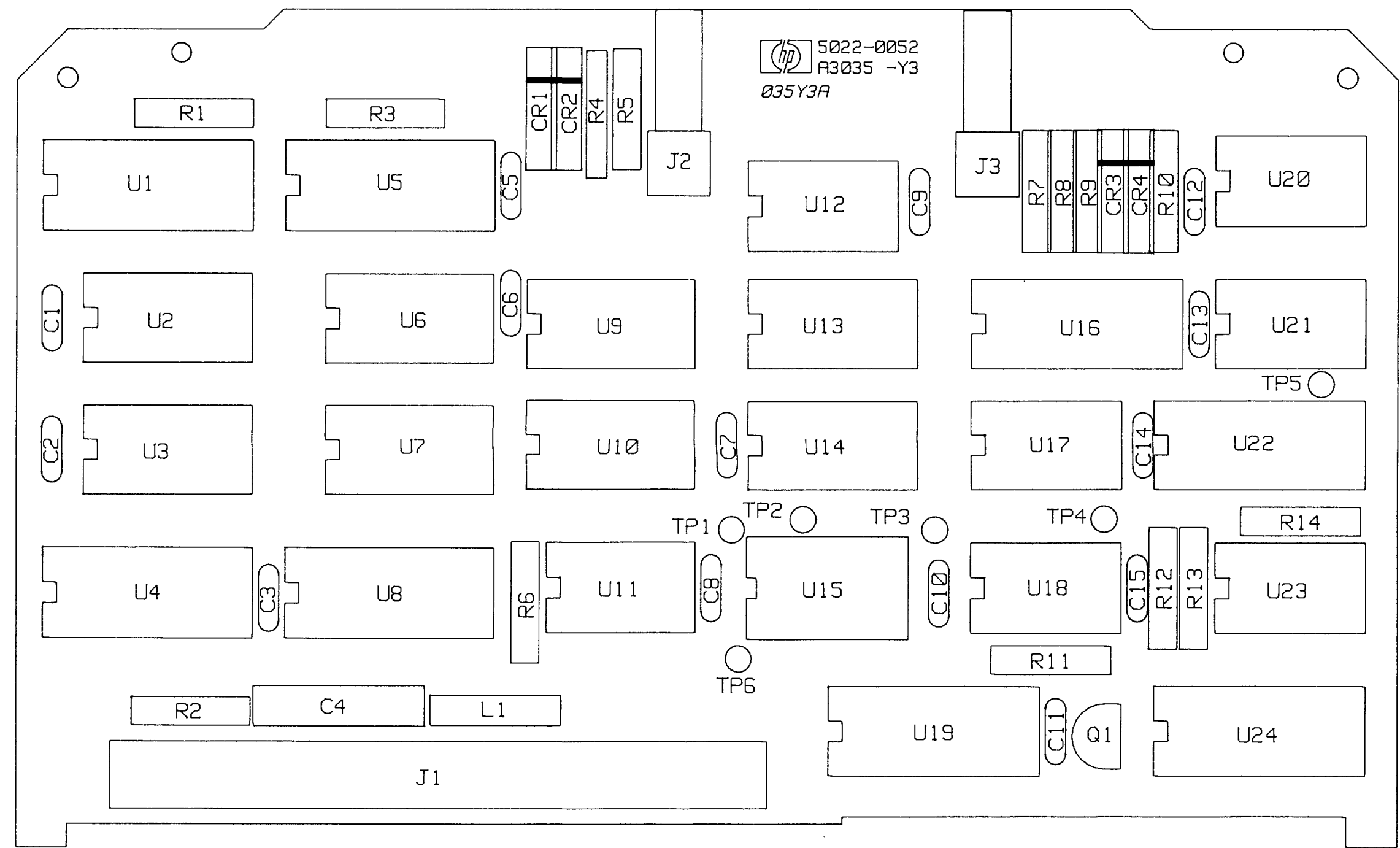
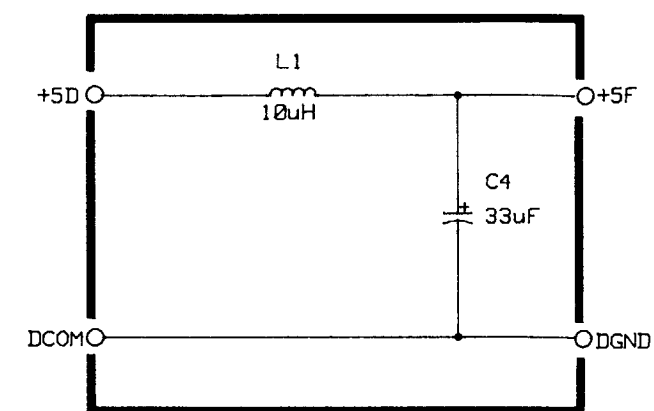
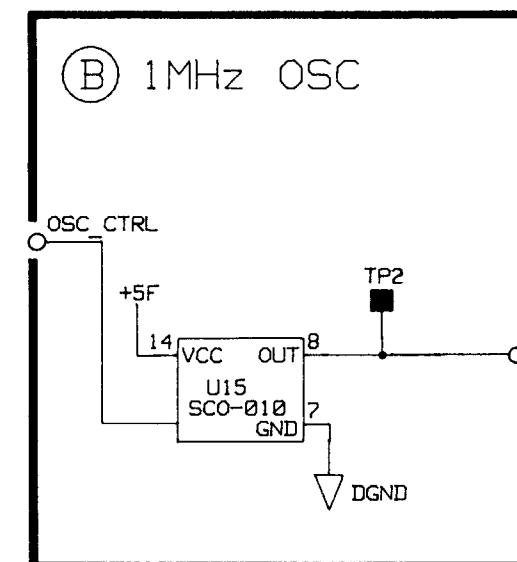
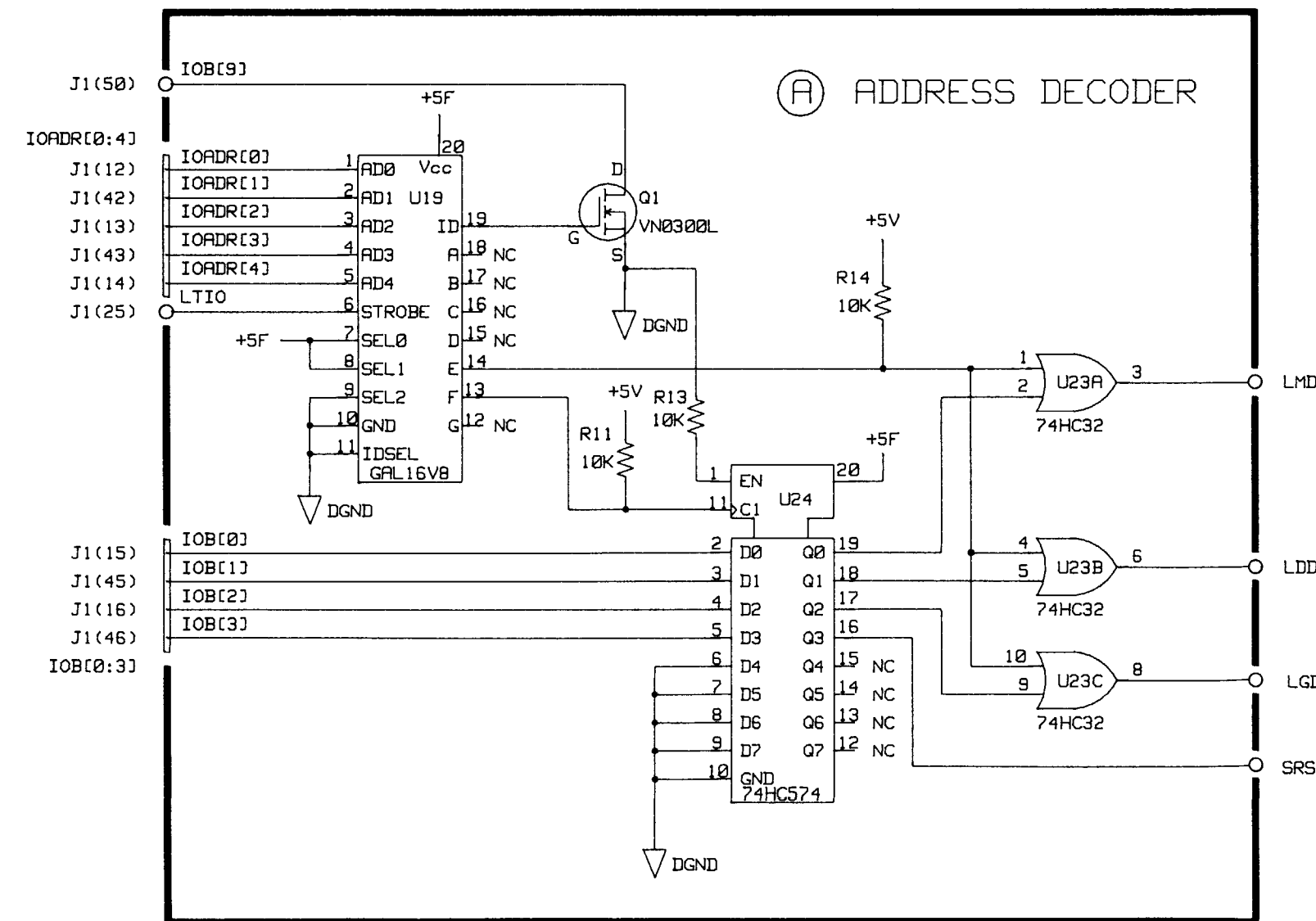
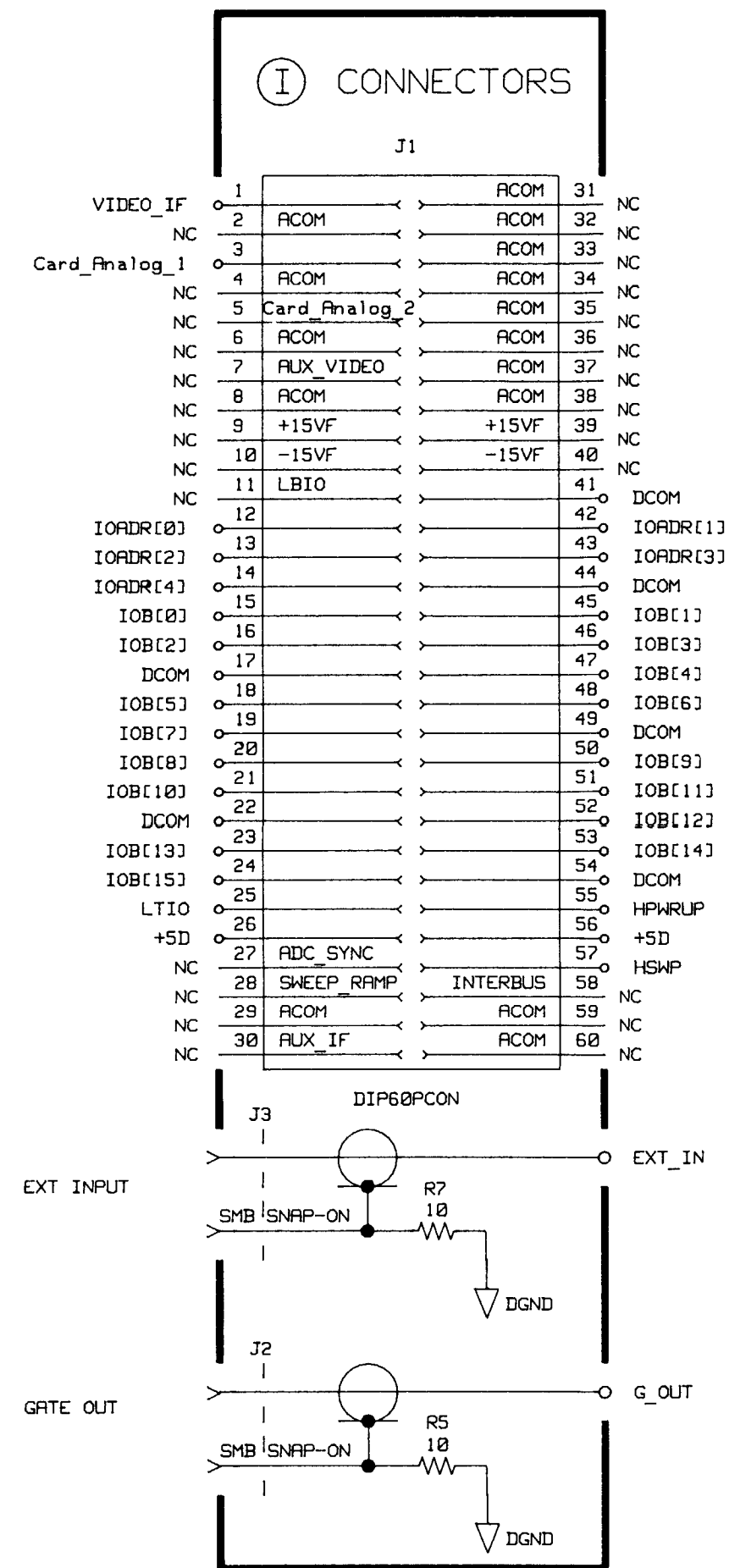


SYM	REVISIONS	APPROVED	DATE
A			
B			



HP PROPRIETARY THIS DOCUMENT CONTAINS CONFIDENTIAL, PROPRIETARY INFORMATION THAT IS HEWLETT-PACKARD (HP) PROPERTY. DO NOT DISCLOSE TO OR DUPLICATE FOR OTHERS EXCEPT AS AUTHORIZED BY HP.	DRAWN BY	DATE	TGSRA COMPONENT LOCATIONS	HEWLETT PACKARD
	ENGINEER/CHECKER			
	RELEASE TO PROD.		TITLE	PART NUMBER
	SUPERSEDES DMG.		SCALE	SHEET 1 of 1

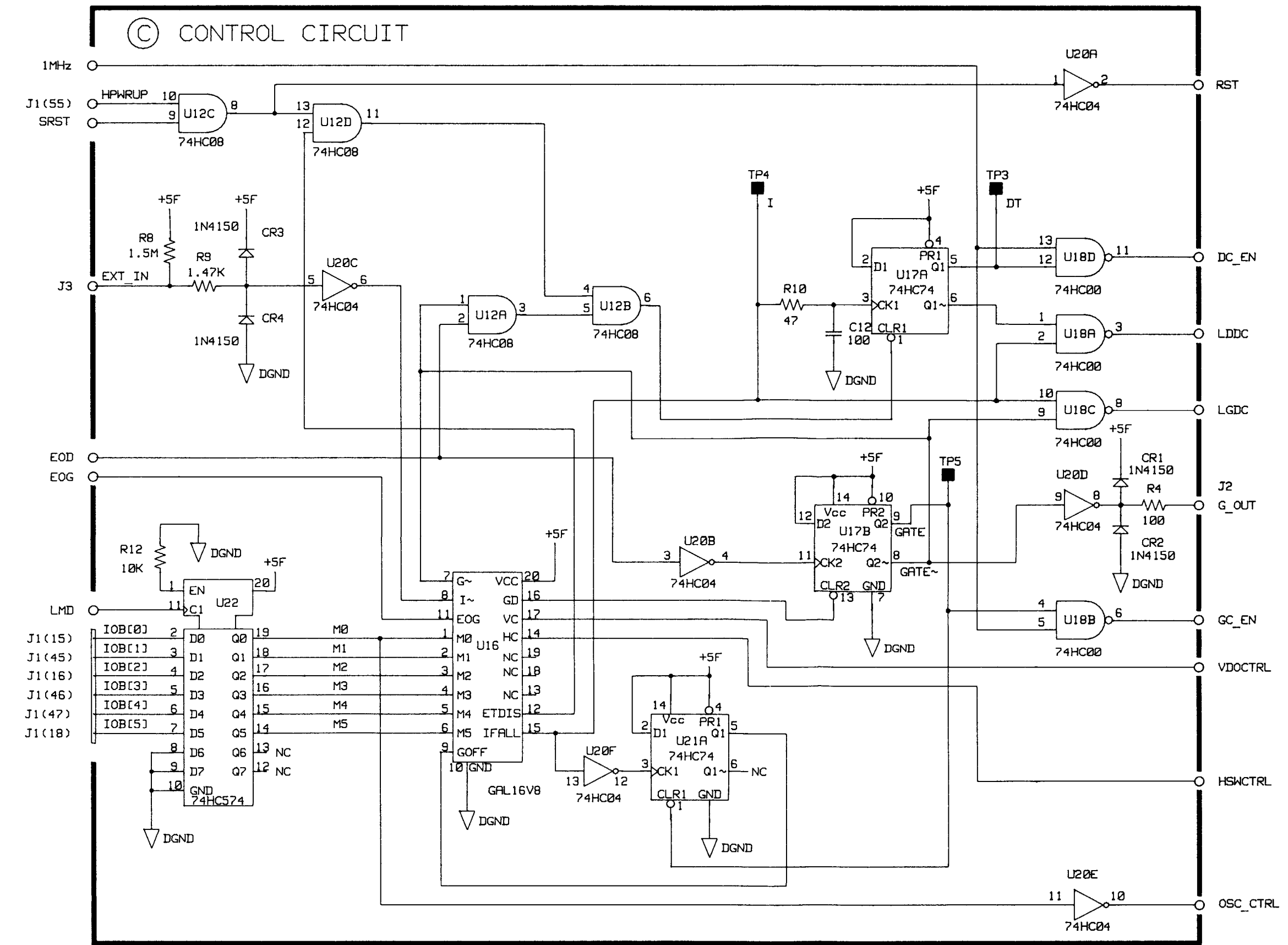
SYM	REVISIONS	APPROVED	DATE
A			



1. NOTES

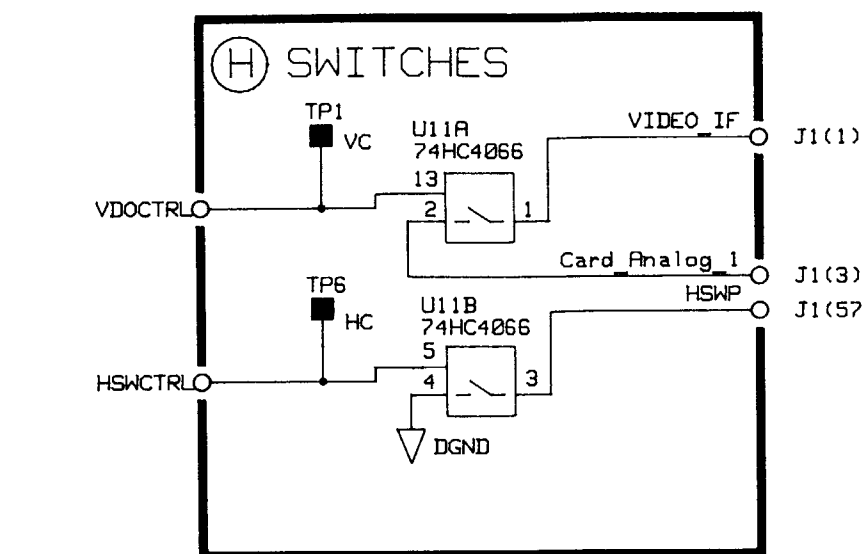
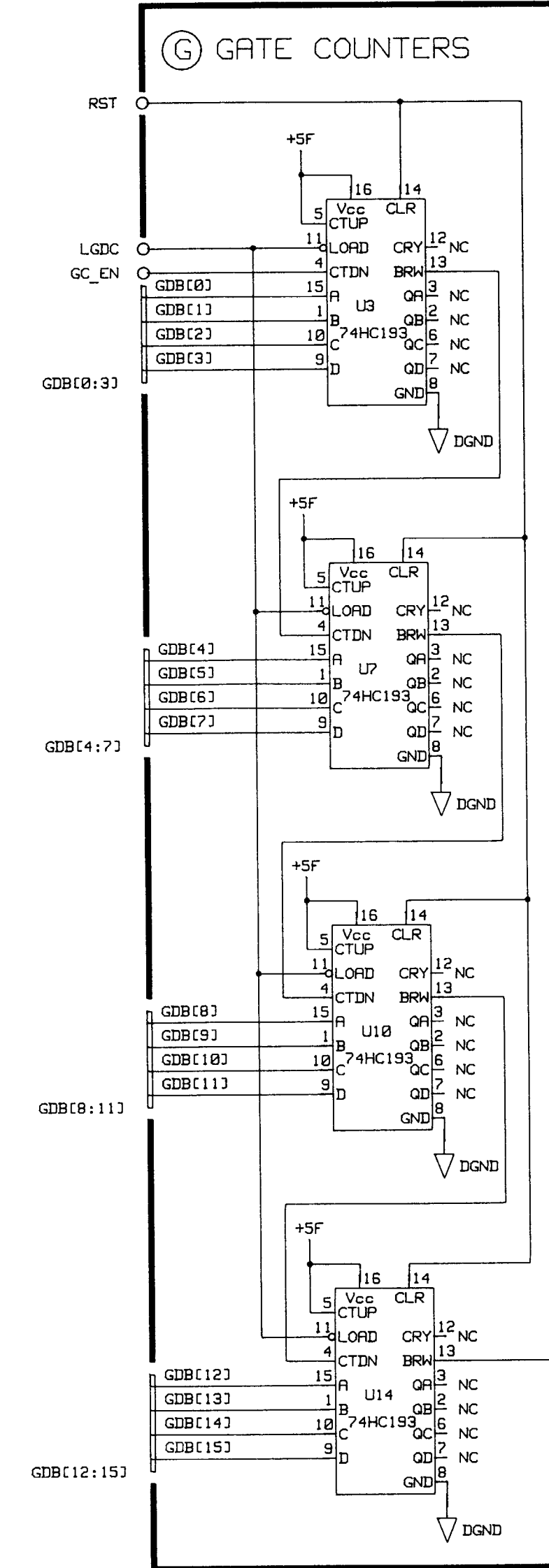
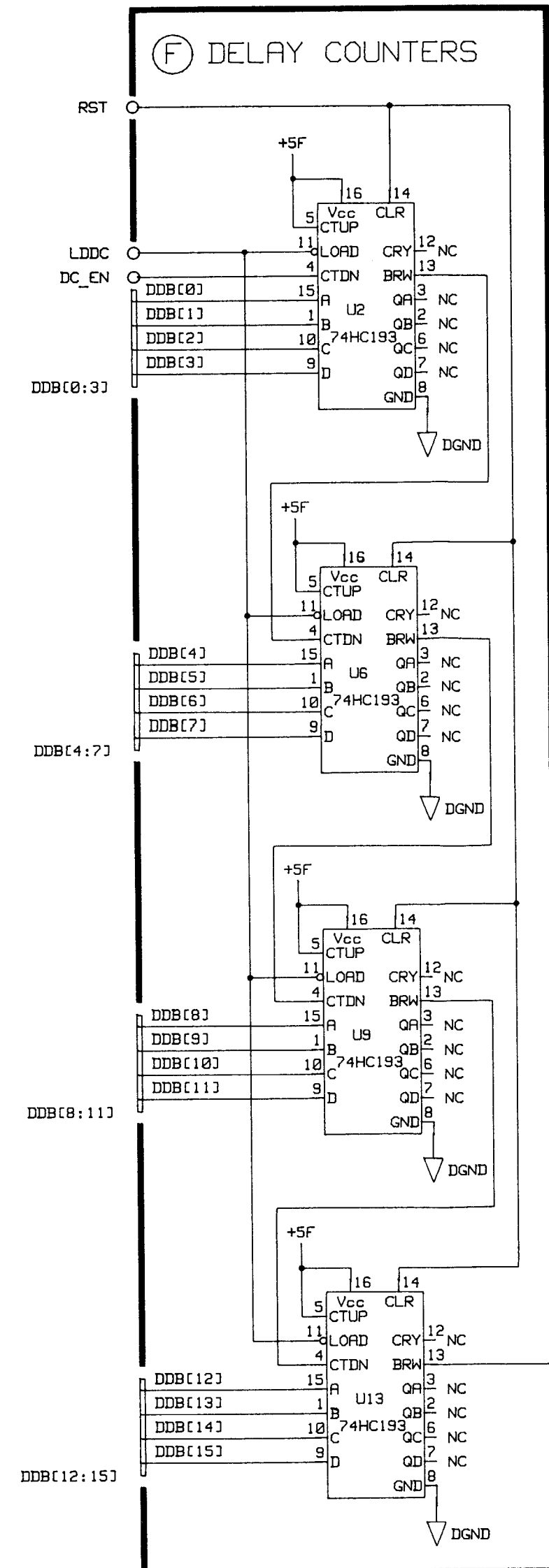
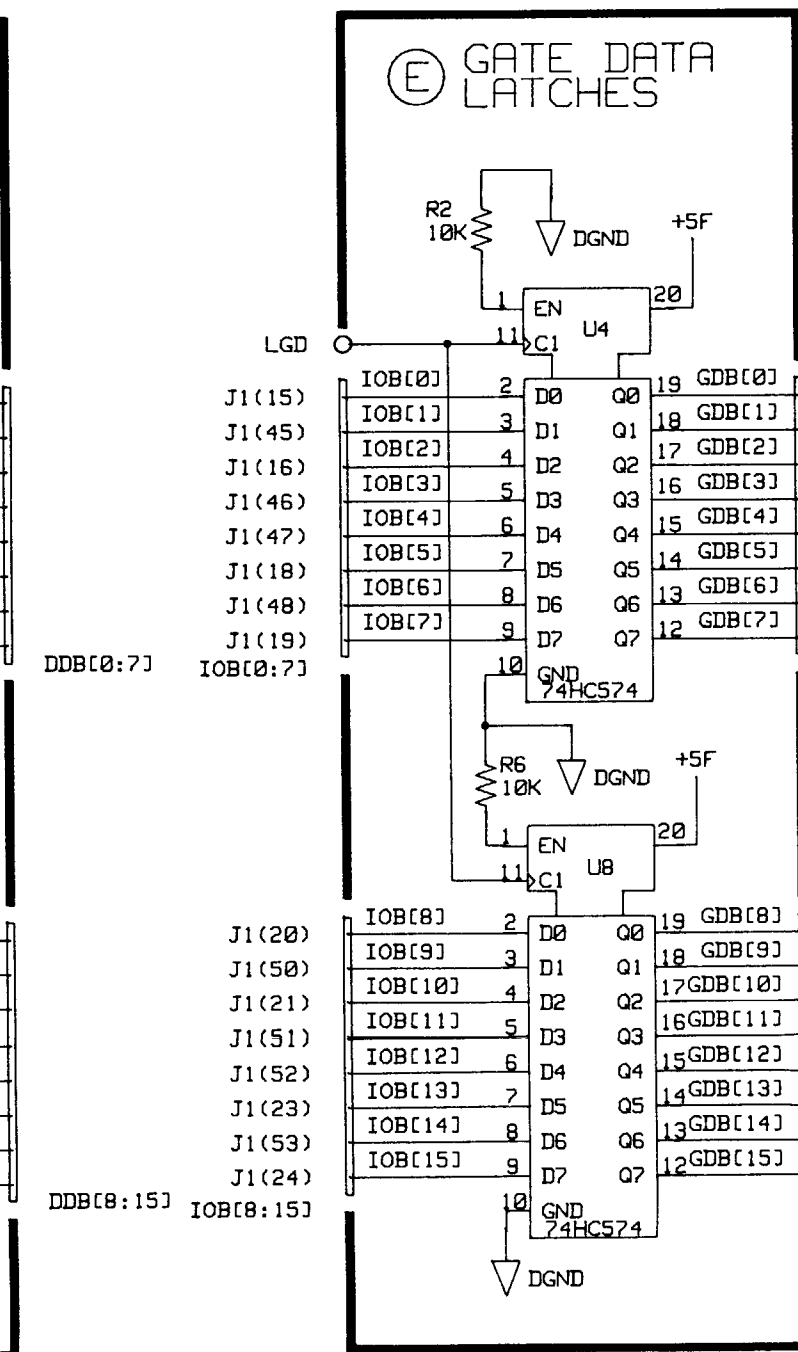
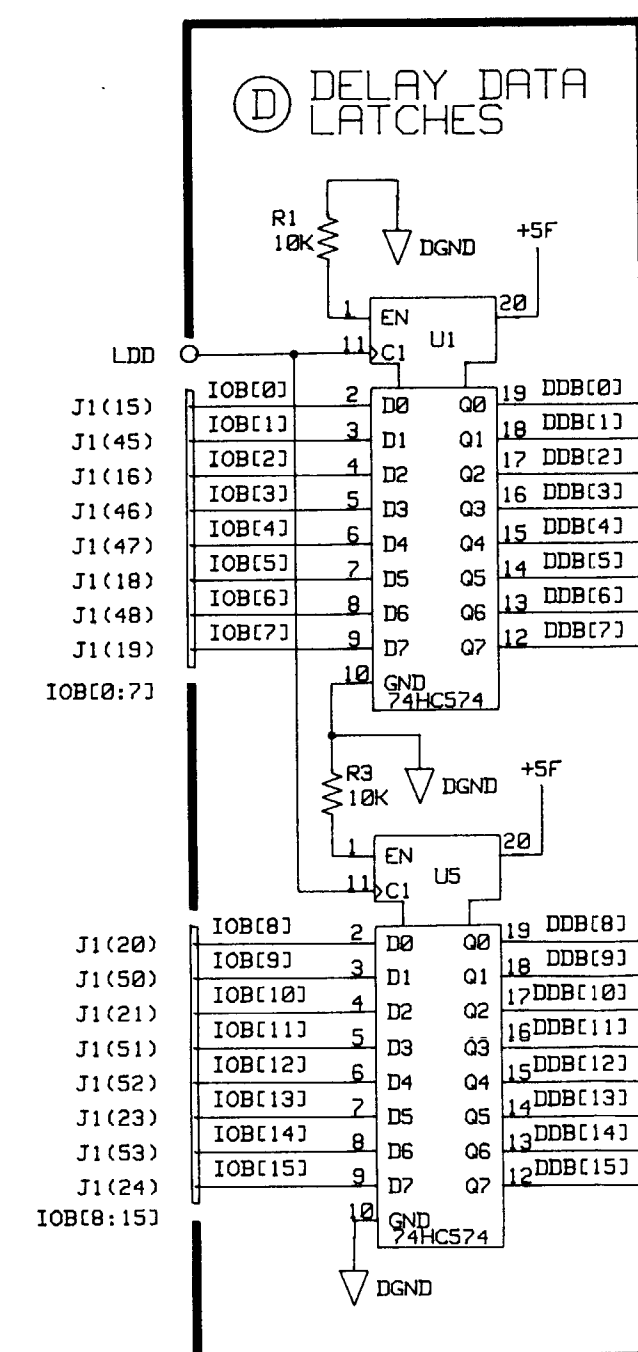
MINEMONIC	DISCRPTION
TP1	VC
TP2	1MHz
TP3	DT
TP4	I
TP5	GATE
TP6	HC

\* G\_OUT IS SAME TO TP1 EXCEPT LEVEL CONTROL MODE.



HP PROPRIETARY THIS DOCUMENT CONTAINS CONFIDENTIAL, PROPRIETARY INFORMATION THAT IS HEWLETT-PACKARD (HP) PROPERTY. DO NOT DISCLOSE TO OR DUPLICATE FOR OTHERS EXCEPT AS AUTHORIZED BY HP.		DRAWN BY	DATE	TGSA SCHEMATIC DIAGRAM			
		ENGINEER/CHECKER	RELEASE TO PROD.				
SUPERSEDES DWG.		SCALE	SHEET 1 OF 2	D-5062-7754-1			

SYM	REVISIONS	APPROVED	DATE
A			

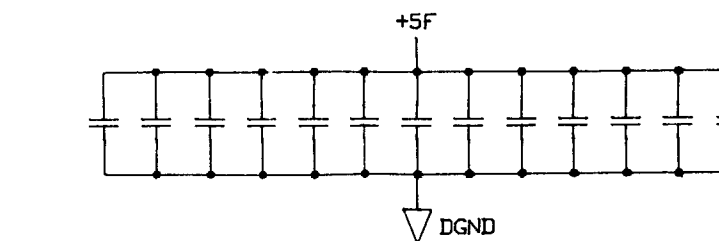


NOTES :

- REFERENCE DESIGNATORS WITHIN THIS ASSEMBLY ARE ABBREVIATED. PREFIX ABBREVIATION WITH ASSEMBLY NUMBER FOR COMPLETE REFERENCE DESIGNATOR.
- UNLESS OTHERWISE SPECIFIED, ALL RESISTOR VALUES ARE IN OHM. ALL CAPACITOR VALUES ARE IN MICROFARADS. ALL INDUCTOR VALUES ARE IN MICROHENRIES.

MNEMONICS	BLOCK	MNEMONICS	BLOCK
SRST	A, C	EOD	C, F
RST	C, F, G	EOG	C, G
LMD	A, C	1MHz	B, C
LDD	A, D	VDOCTRL	C, H
LGD	A, E	HSNPCTRL	C, H
LDDC	C, F	OSC_CTRL	B, C
LGDC	C, G	GATE_OUT	I
DC_EN	C, F	EXT_IN	C, I
GC_EN	C, G	EXT INPUT	C
OSC_CTRL	I	G_OUT	C, I
DT	C	HPHRLP	C
VC	H	HC	H

0.1u x 13 (C1 THRU C3, C5 THRU C11, C13 THRU C15)



REF DESIG	PIN NO	Vcc	GND
U12	14	?	?
U16	14	?	?
U19	14	?	?
U22	14	?	?
U24	14	?	?

<p>HP PROPRIETARY</p> <p>THIS DOCUMENT CONTAINS CONFIDENTIAL, PROPRIETARY INFORMATION THAT IS HEWLETT-PACKARD (HP) PROPERTY. DO NOT DISCLOSE TO OR DUPLICATE FOR OTHERS EXCEPT AS AUTHORIZED BY HP.</p>	<p>DRAWN BY</p>	<p>DATE</p>	<p>TGSA SCHEMATIC DIAGRAM</p>	HEWLETT PACKARD	
	<p>ENGINEER/CHECKER</p>	<p>RELEASE TO PROD.</p>			<p>TITLE</p>
	<p>SUPERSEDES DWG.</p>	<p>SCALE</p>	<p>SHEET 2 OF 2</p>	<p>D-5062-7754-2</p>	